

VariPOS™

All-in-One & Multi-touch POS Solutions

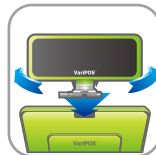
Enhancing Your Hospitality and Retail Business



*Touch our
classical design*



- Intel®Celeron J1900, Intel®Sandy Bridge, Intel®IvyBridge CPU Integrated
- 15" zero-bezel & projected capacitive technology touchscreen
- Flexible architectures for 10.4" LCD second display, MSR, iButton, Fingerprint, RFID, VFD
- Die-casting aluminum housing with IP66 certification
- Colorful plastic cover to lighten business identification
- Hidden cable management
- Reliable and consistent quality to Point-of-Sales requirement



Key Features



True flat & IP66 waterproof sustainable alcohol cleaning



Projected capacitive technology (PCT) & multi-touch function



Changeable color to match shop image



Integrated with 10.4" Second Display

Ordering Information

VariPOS™ 715:

- VariPOS 715-J1900: 15" VariPOS 715 with Intel Celeron J1900 2.0GHz CPU

VariPOS™ 815:

- VariPOS 815-B810 : 15" VariPOS 815 with Intel Celeron B810 1.6GHz CPU
- VariPOS 815-i3 : 15" VariPOS 815 with Intel Core i3-2330E 2.2 GHz CPU
- VariPOS 815-i3 : 15" VariPOS 815 with Intel Core i3-3217U 1.8GHz CPU
- VariPOS 815-i5 : 15" VariPOS 815 with Intel Core i5-2510E 2.5 GHz CPU

VariPOS™ 719:

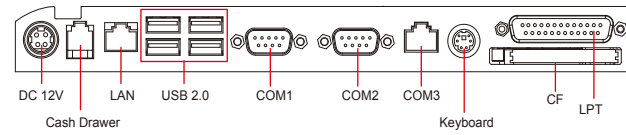
- VariPOS 715-J1900: 19" VariPOS 719 with Intel Celeron J1900 2.0GHz CPU

VariPOS™ 819:

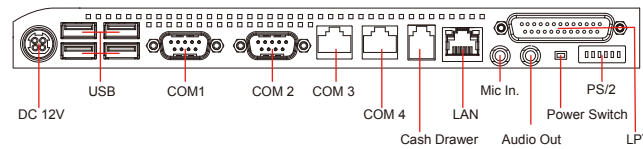
- VariPOS 815-B810 : 19" VariPOS 819 with Intel Celeron B810 1.6GHz CPU
- VariPOS 815-i3 : 19" VariPOS 819 with Intel Core i3-2330E 2.2 GHz CPU
- VariPOS 815-i5 : 19" VariPOS 819 with Intel Core i5-2510E 2.5 GHz CPU

I/O Interface

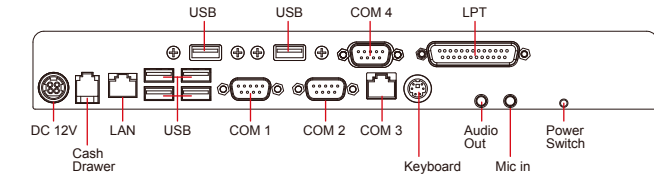
• VariPOS 715 (Standard LPT Version)



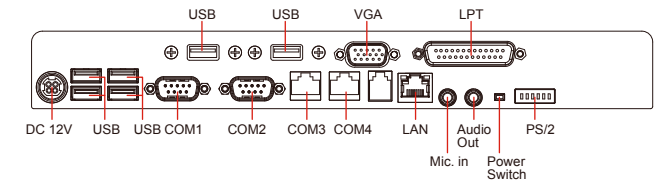
• VariPOS 815 (Standard LPT Version)



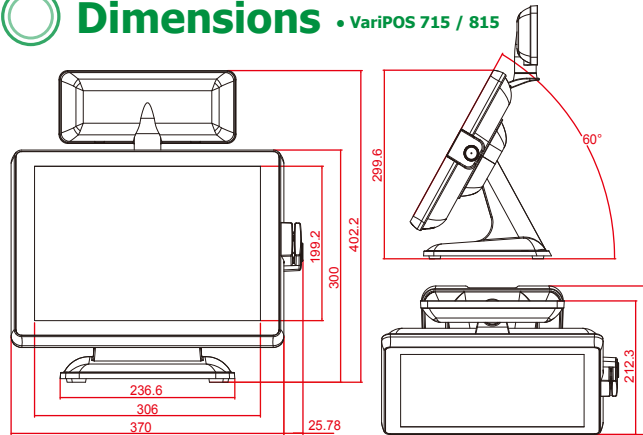
• VariCura 719 I/O Interface



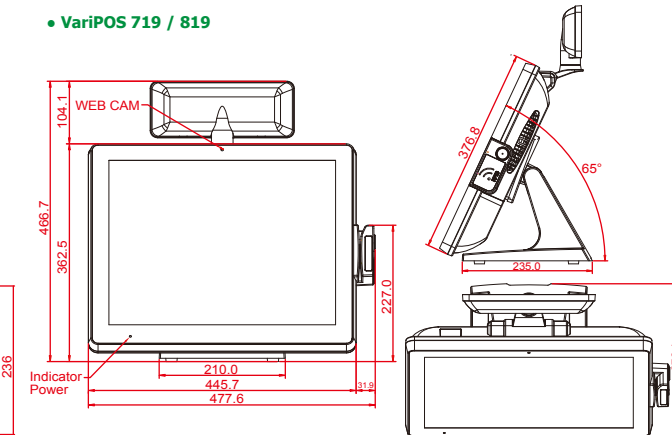
• VariCura 819 I/O Interface



Dimensions • VariPOS 715 / 815



• VariPOS 719 / 819



• VariPOS 15"

TouchScreen Type:

- True Flat PCT (projected capacitive technology)
- True Flat 5-wire Resistive

Optional Accessories:

- VFD: 2x20 Attached VFD
- MSR:Front, 3 Tracks RS-232 Type or PS/2 Type
- MSR & iButton:MSR-Front & iButton, RS-232 Type or PS/2 Type
- RFID 13.56MHz, USB Type
- Fingerprint Reader, USB Type
- 10.4" Second Display. Resolution 800 X 600

Specification

Model Name	VariPOS 715	VariPOS 815	PS/2 port	N/A	Ivy Bridge- N/A ; Sandy Bridge -1 x PS/2 connector for Keyboard
Processor	Intel® Celeron J1900 2.0GHz ,Cache 2MB	Intel® Core i3-3217U 1.8GHz , Cache 3MB Intel® Core i5-2510E 2.5GHz , Cache 3MB Intel® Core i3-2330E 2.2GHz , Cache 3MB Intel® Celeron B810 1.6GHz , Cache 2MB	LPT port	1 x DB-25 Printer port	Ivy Bridge- 1 x DB-25 Printer port Sandy Bridge -1 x DB-25 Printer port (Optional)
Chipset	CPU Integrated	Ivy Bridge - HM76 Sandy Bridge-Intel® PCH HM65	VGA port	1 x DB-15 VGA port Power enable by BIOS setting (default disable)	Ivy Bridge- 1 x DB-15 VGA port, Power enabled by BIOS setting (default disable); Sandy Bridge -1 x DB-15 VGA port (optional)
System Memory	1 x DDR3L SO-DIMM up to 8GB	1 x SO-DIMM DDRIII 1600MHz, up to 8GB	Bus Expansion	1 x Mini-PCI-E Slot	
LCD Size	15" TFT LCD(LED backlight)		Power Switch	1 x power on / off switch button	
Brightness	350nits		Speaker	HD Audio, 2W Speaker x 2	
Resolution	1024 x 768		OS Support	Windows 8, Windows 7, POSready 7	Ivy Bridge- Windows 8, Windows 7, POSready 7 Sandy Bridge-Windows 7, POSready 7
Touch Technology	True Flat Projected Capacitive Technology		Power Adapter	External adapter, DC Model:65 Watts, Voltage:+19VDC 3.42 Amax	Ivy Bridge- External adapter, DC Model:65 Watts, Voltage:+19VDC 3.42 Amax Sandy Bridge-External adapter, DC Model:120 Watts, Voltage:+12VDC 10 Amax
HDD/SSD	1 x SATA (2.5") HDD or SSD		Certifications	CE, FCC, LVD, RoHS	
DC Input	1 x Mini Din 4P (DC 19V only)	Ivy Bridge- 1 x Mini Din 4P (DC 19V only) Sandy Bridge - 1 x Mini Din 4P (DC 12V only)	Protection	IP 66 on front panel	
Cash Drawer	1 x RJ-11 (Power Pin 12V or 24V(default))	Ivy Bridge- 1 x RJ-11 (Power Pin 12V or 24V(default)) Sandy Bridge -1 x RJ-11 (Power Pin 12V(default))	VESA Mount	100mm x 100mm VESA	
LAN port	1 x Gigabit Ethernet by RJ-45		Material	Main Unit: Die-Cast Aluminum ; I/O Cover: Plastic	
USB port	4 x USB 2.0, 1 x USB3.0	Ivy Bridge - 4 x USB 2.0, 2 x USB3.0 Sandy Bridge - 4 x USB 2.0	Color	Main Unit: White / Black / Grey	
COM port	3 x RS-232(RJ48 connector),COM1/2/3 Pin10 w/RI/5V/12V Selectable by BIOS (default is RI)	Ivy Bridge - 3 x RS-232(RJ48 connector),COM1/2 Pin10(5V); COM3 Pin10(12V), Power enabled by BIOS setting (default RI) Sandy Bridge - 4 x RS-232(COM1/2:DB-9, COM3/4:RJ-48) w/RI/5V/12V Selectable by BIOS (default is RI)	Dimension(W x H x D)	370 x 300 x 236	
Audio port	N/A	Ivy Bridge- N/A ; Sandy Bridge -1 x Line-out ; 1 x Mic-In	Weight	7Kg	
			Operating Condition	0°C ~ 40°C, 10% ~ 90% RH, non-condensing	
			Storage Condition	-20°C ~ 60°C, 10% ~ 90% RH, non-condensing	
			VFD/LCM	VFD: 2 x 20 attached	

* The right has been reserved to change the specification without prior notice.

Specification



Model Name	VariPOS 719	VariPOS 819
Processor	Intel® Celeron J1900 2.0GHz ,Cache 2MB	Intel® Core i5-2510E 2.5GHz , Cache 3MB Intel® Core i3-2330E 2.2GHz , Cache 3MB Intel® Celeron B810 1.6GHz , Cache 2MB
Chipset	CPU Integrated	Intel HM65
Chipset	1 x DDR3L SO-DIMM up to 8GB	1 x SO-DIMM DDRIII 1333, up to 8GB
LCD Size	19" TFT LCD(LED backlight)	
Brightness	350nits	
Resolution	1280 x 1024	
Touch Technology	True Flat Projected Capacitive Technology	
HDD/SSD	1 x SATA (2.5") HDD or SSD	
DC Input	1 x Mini Din 4P (DC 19V only)	1 x Mini Din 4P (DC 12V only)
Cash Drawer	1 x RJ-11 (Power Pin 12V or 24V(default))	1 x RJ-11 (Power Pin 12V)
LAN port	1 x Gigabit Ethernet by RJ-45	
USB port	5 x USB 2.0, 1 x USB 3.0	6 x USB 2.0
COM port	3 x RS-232(RJ48 connector),COM1/2/3 Pin10 w/RI/5V/12V Selectable by BIOS (default is RI)	4 x RS-232(COM1/2:DB-9, COM3/4:RJ-48) w/ RI/5V/12V Selectable by BIOS (default is RI)
Audio port	1 x Line-out ; 1 x Mic-In	
PS/2 port	N/A	1 x PS/2 connector for Keyboard
LPT port	1 x DB-25 Printer port	
VGA port	1 x DB-15 VGA port Power enable by BIOS setting (default disable)	1 x DB-15 VGA port
Bus Expansion	1 x Mini-PCI-E Slot	

Power Switch	1 x power on / off switch button	
Speaker	HD Audio, 2W Speaker x 2	
OS Support	Windows 8, Windows 7, POSready 7	Windows 7, POSready 7
Power Adapter	External adapter, DC Model:65 Watts, Voltage:+19VDC 3.42 Amax	External adapter, DC Model:120 Watts, Voltage:+12VDC 10 Amax
Certifications	CE, FCC, LVD, RoHS	
Protection	IP 66 on front panel	
VESA Mount	100mm x 100mm VESA	
Material	Main Unit: Die-Cast Aluminum ; I/O Cover: Plastic	
Color	Main Unit: Black / White	
Dimension(W x H x D)	446 x 276 x 363	
Weight	9.3Kg	
Operating Condition	0°C ~ 40°C, 10% ~ 90% RH, non-condensing	
Storage Condition	-20°C ~ 60°C, 10% ~ 90% RH, non-condensing	
VFD/LCM	VFD: 2 x 20 attached	
MSR	Front, 3 tracks RS-232 Type or PS/2 Type	
MSR & iButton	MSR-Front & iButton, RS-232 Type or PS/2 Type	
iButton	RS-232 Type or PS/2 Type	
SCR	USB Type	
Finger Print	USB Type	
RFID	USB Type, 13.56MHZ	
2nd Display	N/A	10" Resolution 800 x 600
Web Camera	1.3M pixel camera with shutter	
WLAN	WLAN 802.11 b/g/n	

* The right has been reserved to change the specification without prior notice.



○ **Poindus Systems Corp.**

Address: 5F., No. 59, Lane. 77, Xing-Ai Rd.,
Neihu Dist., Taipei City 114, Taiwan(R.O.C.)

Tel: +886-2-77214688

Fax: +886-2-77212289

E-mail: sales@poindus.com

www.poindus.com

www.varipos.com

